

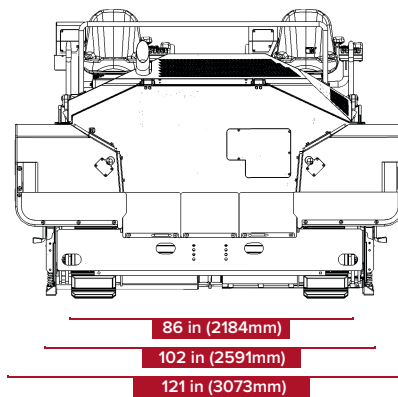
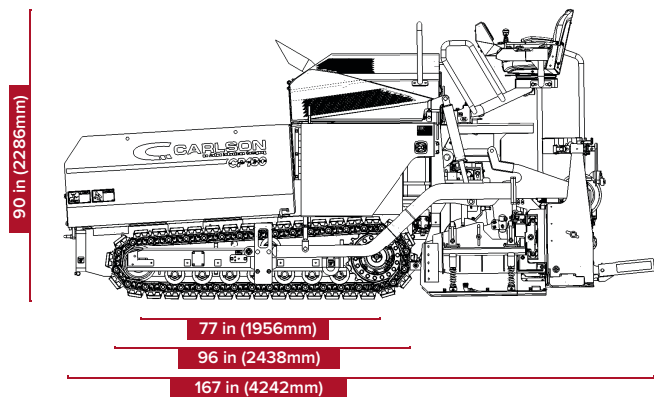
CP130

COMMERCIAL CLASS PAVER



CP130

Engine	130hp (97kW) Cummins Tier IVf
Std. Width	8'-15' (2.43-4.59m)
Max Width	17' (5.18m)
Weight	22,500 lbs (10206kg)



DIMENSIONS

Total Weight	22,500 lb (10206kg)
Tractor Weight	18,500 lb (8391kg)
Screed Weight	4,000 lb (1814kg)
Hopper Capacity	9.5 Tons (8.6 tonnes)
Hopper Inside Width Opening	10 ft (3048mm)
Hopper Dump Clearance	21.25 in (540mm)
Load Angles	15° Forward/15° Reverse

ENGINE

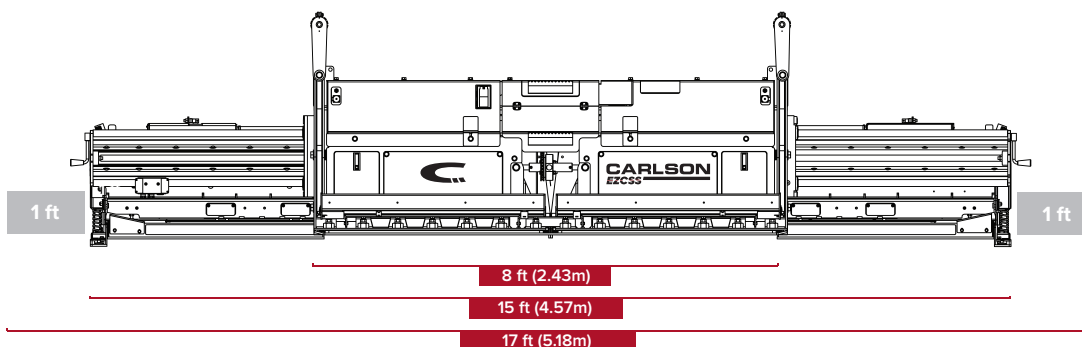
Engine	130hp (97kW) Cummins QSF 3.8
EPA/EU Emissions Standard	Tier IV Final/EU Stage IV
Drive System	2 Speed Planetary
Track Type	14" (356mm) Poly-Pad
Max Pave Speed	145 fpm (44.2m/min)
Max. Travel Speed	325 fpm (99m/min)
Max. Reverse Speed	325 fpm (99m/min)

COMPONENTS

Floor Plate Thickness	3/8 in (9.5mm) 500 Brinell-rated
Conveyor Width	25.5 in (648mm)
Conveyor Speed	58 rpm
Damper Doors	Dual Horizontally Sliding
Auger Diameter	13 in (330mm)
Auger Flight Thickness	7/8 in (22mm) 500 Brinell-rated
Max. Auger Speed	160 rpm

CAPACITIES

Fuel Tank	32 gal (121L)
DEF Tank	5 gal (19L)
Hydraulic Tank	22 gal (83.3L)
Cooling System Capacity	7 gal (26.5L)
Washdown Tank	6 gal (22.7L)
Electrical System	12v w/ 80 amp Alternator
Generator	14.4kW Belt Driven



EZCSS SCREED

Standard Paving Width	8 ft-15 ft (2.43-4.59m)
Max. Paving Width	17 ft (5.18m)
Paving Depth (Min/Max)	.25-8 in (6mm-203mm)
Main Plate Depth	16 in (406mm) Center 14 in (356mm) Edge
Main Plate Thickness	3/8 in (9.5mm) 450 Brinell Rated
Extension Plate Depth	8 in (203mm)
Extension Plate Thickness	3/8 in (9.5mm) 450 Brinell Rated

Screed Heat Source	Electric Heating Elements
Endgates	Spring Loaded
Crown Adjustment	Manual Crown
Crown/Invert	3 in (76mm) / 1 in (25mm)
Extension Height Adjustment	Power Extension Height
Extension Height Travel	1.75 in (44.45mm)
Power Slope Adjustment	9% Down
Vibration	0-3000 vpm

01-0817

CP130



CARLSONPAVINGPRODUCTS.COM

Continually improving our products, Carlson reserves the right to amend materials, available options and specifications without notice. Features machines and photos include optional or prototype equipment. 2017 Carlson.

