

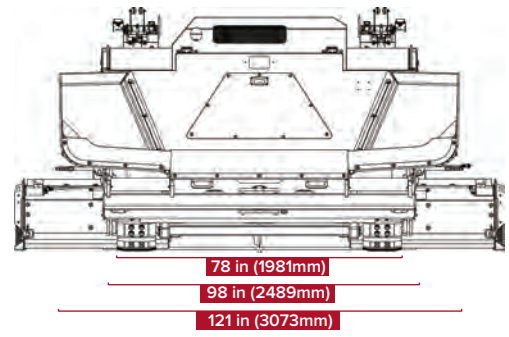
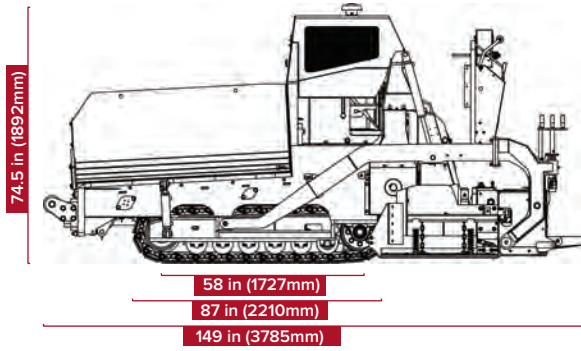
CP75 II

COMMERCIAL CLASS PAVER



CP75 II

Engine	74hp (55kW) Deutz Tier IVf
EZC813 Width	8'-13' (2.43-3.96m)
EZC815 Width	8'-15' (2.43-4.57m)
Weight	16,500lbs (7462kg)



DIMENSIONS

Total Weight (w/ EZC813 screed)	16,500 lb (7462kg)
Tractor Weight	14,000 lb (6350kg)
Screed Weight (EZC813)	2,500 lb (1134kg)
Hopper Capacity	8 Tons (7.25 tonnes)
Hopper Inside Width Opening	10 ft (305cm)
Hopper Dump Clearance	24.75 in (628mm)
Load Angles	15° Forward/15° Reverse

ENGINE

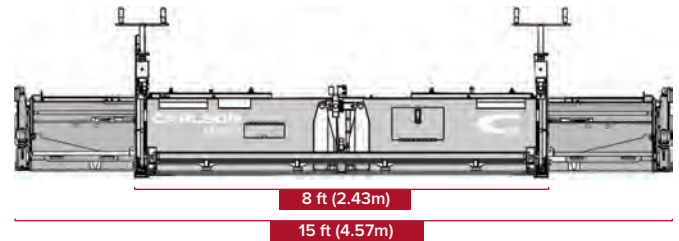
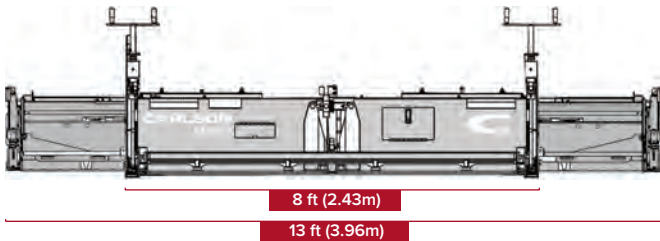
Engine	74hp (55kW) Deutz 2.9 L4
EPA/EU Emissions Standard	Tier IV Final/Stage IV
Drive System	2 Speed Planetary
Track Type (Standard)	12" (309mm) Steel
Max Pave Speed	155 fpm (47.2m/min)
Max. Travel Speed	255 fpm (77.7m/min)
Max. Reverse Speed	255 fpm (77.7m/min)

COMPONENTS

Floor Plate Thickness	3/8 in (9.5mm) 500 Brinell-rated
Conveyor Belt Width	35.5 in (902mm)
Conveyor System	Chain & Slat Fixed Rubberized Belt
Damper Doors	Dual Horizontally Sliding
Auger Diameter	9.5 in (241mm)
Auger Flight Thickness	1/2 in (13mm) 500 Brinell-rated
Max. Auger Speed	100 rpm

CAPACITIES

Fuel Tank	35 gal (132.5L)
Hydraulic Tank	20 gal (75.7L)
Cooling System Capacity	4 gal (15.1L)
Washdown Tank	5 gal (15.1L)
Electrical System	12v w/ 95 amp Alternator
Generator	14.4kW Belt Driven



EZC813 SCREED (STANDARD)

Standard Paving Width	8 ft-13 ft (2.43-3.96m)
Max. Paving Width	13 ft (3.96m)
Paving Depth (Min/Max)	.25-8 in (6mm-203mm)
Main Plate Depth	16 in (406mm) Center 14 in (356mm) Edge
Main Plate Thickness	3/8 in (9.5mm) 450 Brinell Rated
Extension Plate Depth	8 in (203mm)
Extension Plate Thickness	3/8 in (9.5mm) 450 Brinell Rated

EZC815 SCREED (OPTIONAL)

Standard Paving Width	8 ft-15 ft (2.43-4.57m)
Max. Paving Width	15 ft (4.57m)
Paving Depth (Min/Max)	.25-8 in (6mm-203mm)
Main Plate Depth	16 in (406mm) Center 14 in (356mm) Edge
Main Plate Thickness	3/8 in (9.5mm) 450 Brinell Rated
Extension Plate Depth	8 in (203mm)
Extension Plate Thickness	3/8 in (9.5mm) 450 Brinell Rated

CP75



CARLSONPAVINGPRODUCTS.COM