



CP100

COMMERCIAL CLASS PAVER

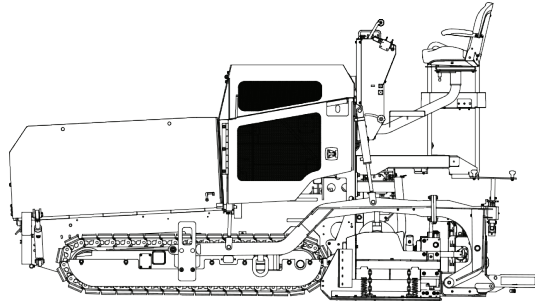


CP100

Engine	100hp (74kW) CAT Tier IVi
Std. Width	8'-15' (2.43-4.59m)
Max Width	17' (5.18m)
Weight	19,500 lbs (7462kg)

3-Man Option Shown

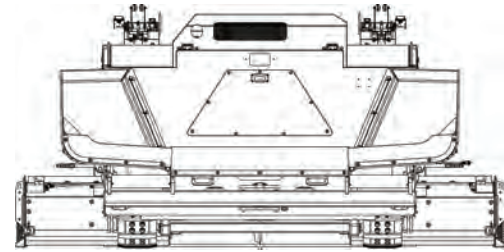
94 in (2387mm)



68 in (1727mm)

87 in (2210mm)

167 in (4242mm)



75 in (1905mm)

87 in (2210mm)

98 in (2489mm)

121 in (3073mm)

2-Man Option Shown

DIMENSIONS

Total Weight	19,500 lb (8958kg)
Tractor Weight	16,500 lb (6350kg)
Screed Weight	3,250 lb (1474kg)
Hopper Capacity	8.5 Tons (7.7 tonnes)
Hopper Inside Width Opening	10 ft (305cm)
Hopper Dump Clearance	27 in (686mm)
Load Angles	15° Forward/15° Reverse

COMPONENTS

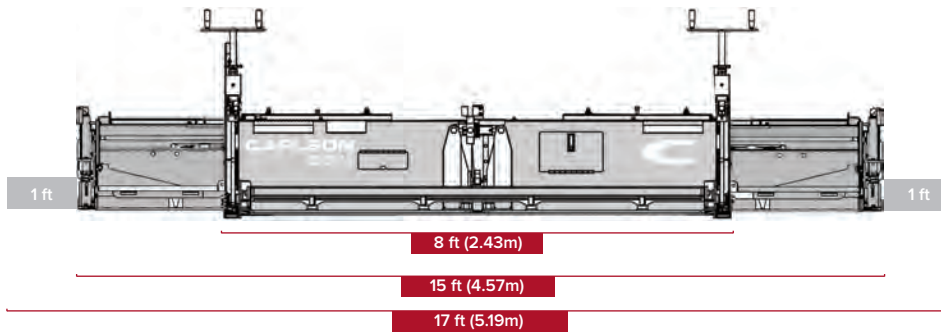
Floor Plate Thickness	3/8 in (9.5mm) 500 Brinell-rated
Conveyor Width	25.5 in (648mm)
Damper Doors	Dual Horizontally Sliding
Auger Diameter	12 in (305mm)
Auger Flight Thickness	7/8 in (22mm) 500 Brinell-rated
Max. Auger Speed	110 rpm

ENGINE

Engine	100hp (75kW) CAT 3.4B
EPA/EU Emissions Standard	Tier IV Interim/Stage IIIB
Drive System	2 Speed Planetary
Track Type (Standard)	12" (305mm) Poly-Pad
Max Pave Speed	155 fpm (47.2m/min)
Max. Travel Speed	230 fpm (77.7m/min)
Max. Reverse Speed	230 fpm (77.7m/min)

CAPACITIES

Fuel Tank	30 gal (113.6L)
Hydraulic Tank	45 gal (170.3L)
Cooling System Capacity	11 qts (10.4L)
Washdown Tank (Optional)	10 gal (37.9L)
Electrical System	12v w/ 80 amp Alternator
Generator	14.4kW Belt Driven



1 ft

1 ft

8 ft (2.43m)

15 ft (4.57m)

17 ft (5.19m)

EZC815 SCREED

Standard Paving Width	8 ft-15 ft (2.43-4.57m)
Max. Paving Width	17 ft (5.19m)
Paving Depth (Min/Max)	.25-8 in (6mm-203mm)
Main Plate Depth	16 in (406mm) Center 14 in (356mm) Edge
Main Plate Thickness	3/8 in (9.5mm) 450 Brinell Rated
Extension Plate Depth	8 in (203mm)
Extension Plate Thickness	3/8 in (9.5mm) 450 Brinell Rated

Screed Heat Source	Electric Heating Elements
Endgates	Spring Loaded
Crown Adjustment	Manual Adjustment
Crown/Invert	3 in (76mm) / 1 in (25mm)
Extension Height Adjustment	Manual Adjustment
Vibration	0-3000 vpm

CP100



CARLSONPAVINGPRODUCTS.COM